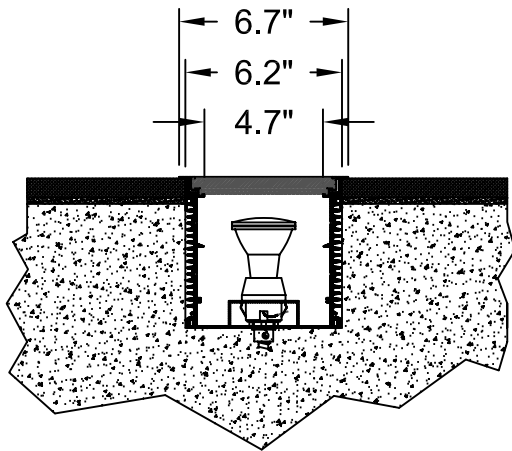


#803UP INSTALLATION

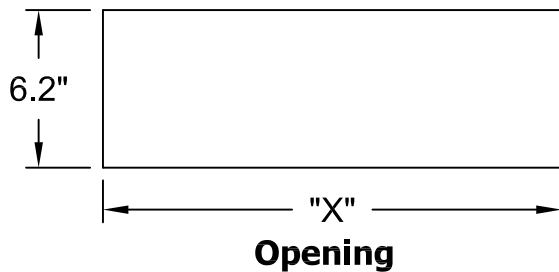
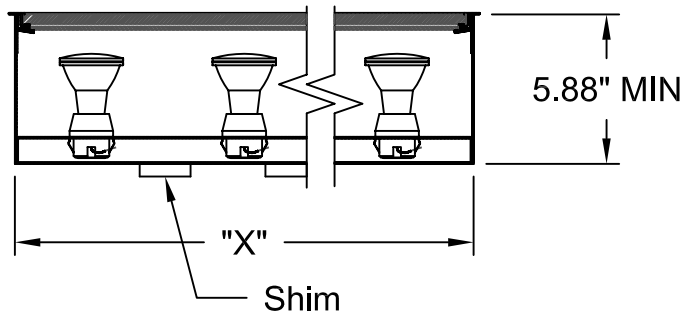


1. Block opening in floor. Width is 6.2", length is the length of the fixture ("X"), depth is 5.88" minimum.

2. Remove wireway and connect power to fixture.

3. Provide necessary support and shim fixture. Using screws mount fixture directly to support.

4. Install lamps, test with power, install lenses.



SPECIALTY LIGHTING

INDUSTRIES, INC. © 2004

1306 DORIS AVENUE, OCEAN, NJ 07712 USA

800.462.7812

[www. specialtylightingindustries.com](http://www.specialtylightingindustries.com)

732.517.0800 FAX 732.517.0971

These specifications subject to change without notice.